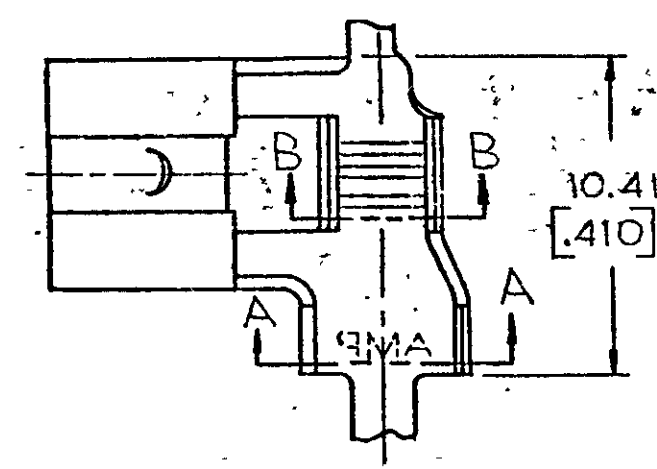
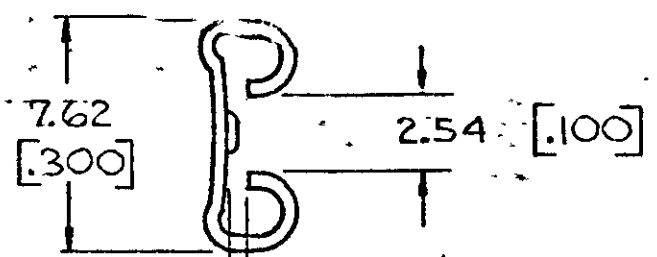


© COPYRIGHT 1980 BY AMP INCORPORATED, HARRISBURG, PA.
 ALL INTERNATIONAL RIGHTS RESERVED. AMP INCORPORATED PRODUCTS
 COVERED BY U. S. AND FOREIGN PATENTS AND/OR UNPUBLISHED PRODUCTS.

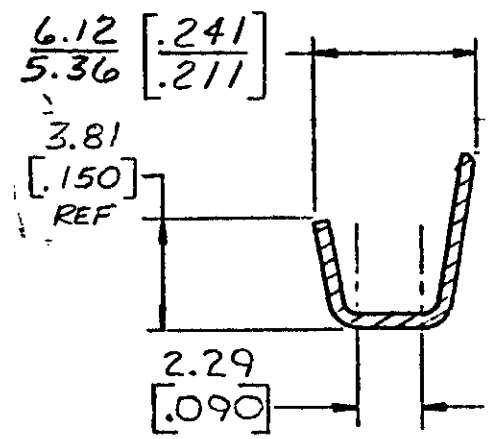
UNPUBLISHED COPY NOT TO BE
 REPRODUCED NOR PUBLISHED
 WITHOUT WRITTEN PERMISSION
 OF AMP INCORPORATED.

REVISIONS		LOC	AF	DIST	50	
NO.	DATE	ZONE	LTR	DESCRIPTION	DATE	APPROVED
1			J	REVISED PER ECR-12-013459	10DEC12	PD

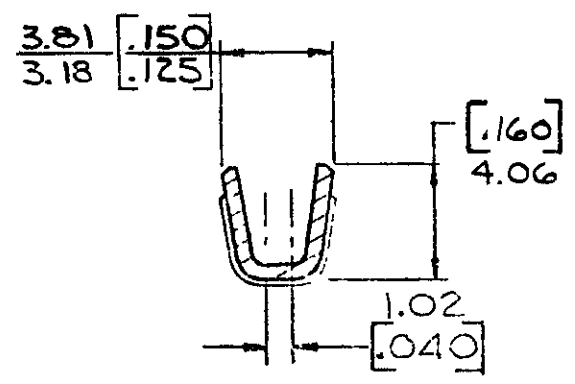


FITS 250 SERIES
 FASTON TAB. REFER
 TO CP-14251 FOR
 TAB DETAILS.

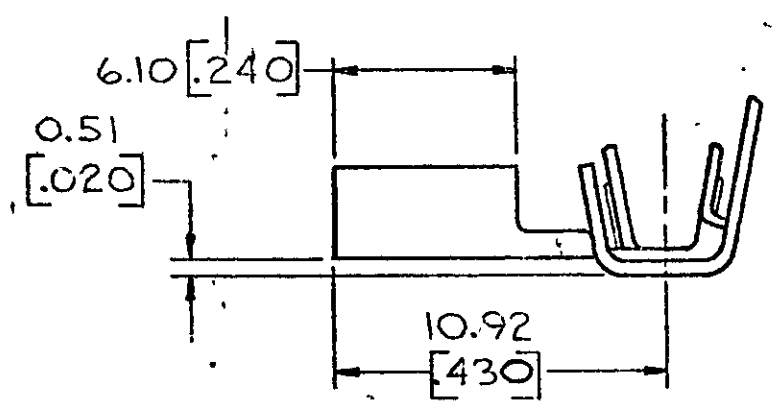
1. ALL DIMENSIONS IN
 BRACKETS ARE IN
 INCHES
 CONTINUOUS STRIP ON REELS



SECTION A-A



SECTION B-B



METRIC

.110-.160	18-14	TIN	BRASS	62811-2
.110-.160	18-14	NONE	BRASS	62811-1
INSUL RANGE	WIRE RANGE	FINISH	MATERIAL	PART NO
UNLESS OTHERWISE SPECIFIED DIMENSIONS ARE IN INCHES (MILLI TOLERANCES ON DECIMALS ±0.38 [0.015] ANGLES ±)		CONTRACT NO		
MATERIAL		CHK	NAME	
SEE TABLE		APPD	250 SERIES PREMIER FLAG	
FINISH		DSGN APPD	FASTON RECEPTACLE	
SEE TABLE		OTHER APPD	SIZE	CODE IDENT NO
			B	00779
			SCALE	DRAWING NO
			4-1	62811
				SHEET